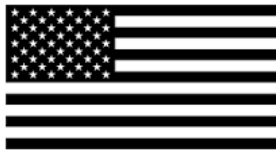




**AMERICAN RIFLE COMPANY**

**BOLT ACTION RIFLE MANUAL**



**MADE IN THE USA**

(Trigger made in Canada)

American Rifle Company's mission is equipping you with a means for securing your right to life, liberty, and the pursuit of happiness.

American Rifle Company, other manufacturers, distributors, and resellers assume no liability for loss of life, personal injury, and/or property damage related to the use, misuse, modification, or malfunction of this product.

It is your responsibility to abide by local, state, and federal laws governing firearm use, transportation, and sale in your area.

If you gift, sell, or transfer this firearm please be sure this manual goes with it.

Some states require this statement:

**WARNING:** You may face criminal prosecution if you store or leave an unsecured firearm where a person who is prohibited from possessing firearms can and does obtain possession.

# Table of Contents

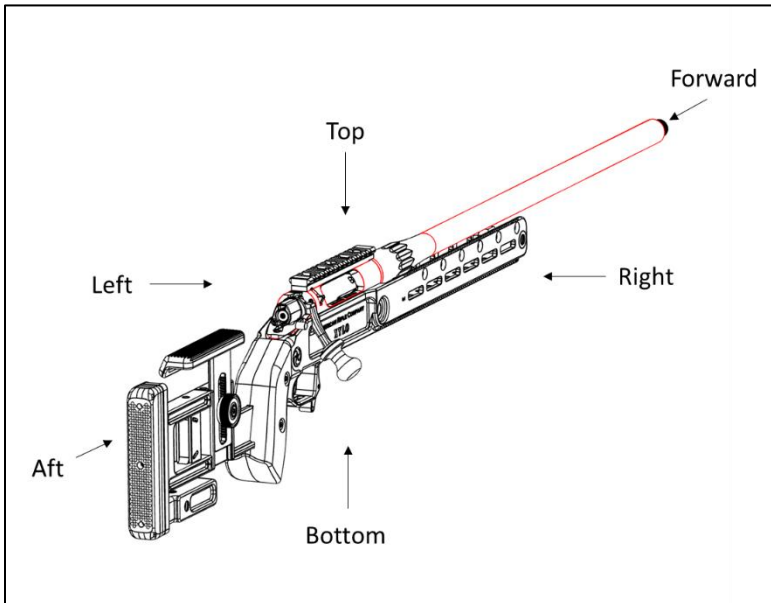
1	Introduction & Nomenclature .....	4
2	Safety .....	6
2.1	Basic firearm safety rules .....	6
2.2	Additional safety .....	6
3	Function .....	7
3.1	Firearm Check .....	7
3.2	Ammunition .....	7
3.3	Unloading .....	7
3.4	Mechanical Safety .....	8
3.5	Bolt Action.....	9
3.6	Magazine.....	10
3.7	Chassis/Stock Use and Adjustment.....	11
3.8	Mounting a Rifle Scope .....	15
4	Maintenance .....	16
4.1	Lubrication .....	16
4.2	Striker Assembly Removal (Bolt Head Removal) .....	17
5	Warranty .....	18
6	Purchase Record .....	18
7	Notes.....	19

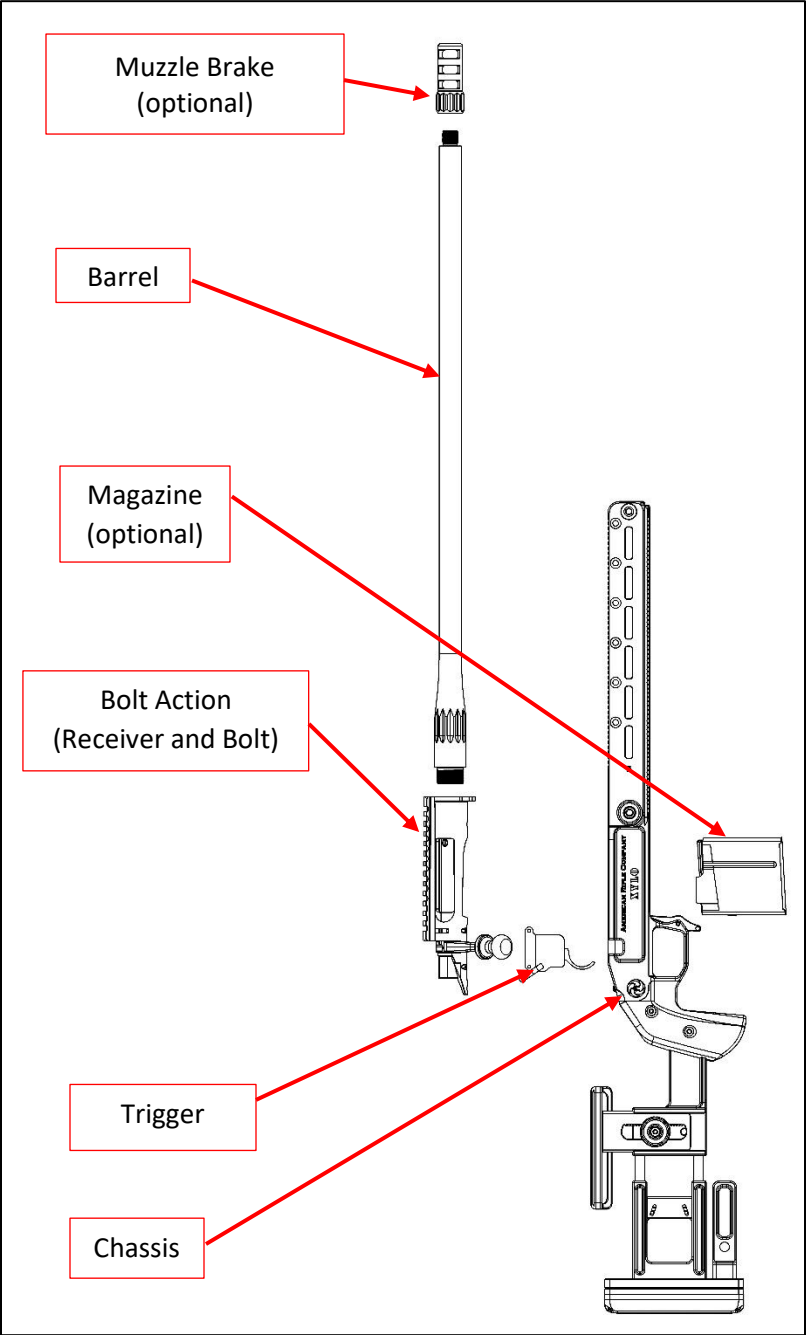
# 1 Introduction & Nomenclature

Thank you for purchasing a rifle made in the USA by American Rifle Company. We design and manufacture rifles to have a long and reliable service life and hope it exceeds your expectations. Please read this manual and familiarize yourself with the function of the rifle before using it.

This manual applies to several American Rifle Company bolt action rifles and may include explanations of optional equipment. Please reference material that is relevant to your rifle.

The information in this manual is current at the time of publication. We strive to continuously improve our products so there may be differences between your rifle and this manual.





## 2 Safety

### 2.1 Basic firearm safety rules

NEVER point the firearm at something you are not willing to destroy.

ALWAYS treat the firearm as if loaded, even if unloaded.

ALWAYS be aware of your target, its background, foreground, and flanks.

ALWAYS keep your finger off the trigger and the mechanical safety on until positively on target and ready to fire.

### 2.2 Additional safety

Store your firearm so that children cannot gain access to it.

Bullets can ricochet when contacting hard surfaces. Do not shoot at objects if ricochet may cause harm.

Always wear proper ear and eye protection when shooting.

Avoid mind altering substances such as drugs and alcohol and reflex impairing medication when using your firearm.

When servicing the rifle, remove all cartridges from the magazine or remove the magazine.

When servicing the rifle, ensure the chamber is not loaded. The rifle can fire with no magazine (or an empty magazine) installed if a cartridge is in the chamber.

## 3 Function

### 3.1 Firearm Check

Before using your rifle for the first time and each time it is used check for obstructions in the barrel by removing the bolt and looking through the barrel from the aft end. Additionally, make sure the thread protector or muzzle brake is tight and all other components are tight and in good working order.

Clean the barrel before the first use to remove any debris from packing materials. Put a loose, lightly oiled patch through the bore from breech to muzzle twice. Use a fresh patch each time.

### 3.2 Ammunition

American Rifle Company recommends that you only use high quality commercially manufactured ammunition made to SAAMI (Sporting Arms and Ammunition Manufacturers' Institute) or CIP (Commission International Permanente) specifications. Be sure the ammunition is the appropriate cartridge and caliber for your rifle. Additionally, ensure the ammunition is clean and dry.

The use of remanufactured or hand loaded ammunition is not recommended.

A variety of types and brands of ammunition are available. It is important to choose ammunition that is appropriate for the application. Refer to the ammunition manufacturer's documentation to select good options for the application and test the ammunition at a rifle range.

### 3.3 Unloading

When unloading, remove the magazine, remove all cartridges from the magazine and open the bolt to empty the chamber. With the bolt open, visually confirm there is not a cartridge in the chamber.

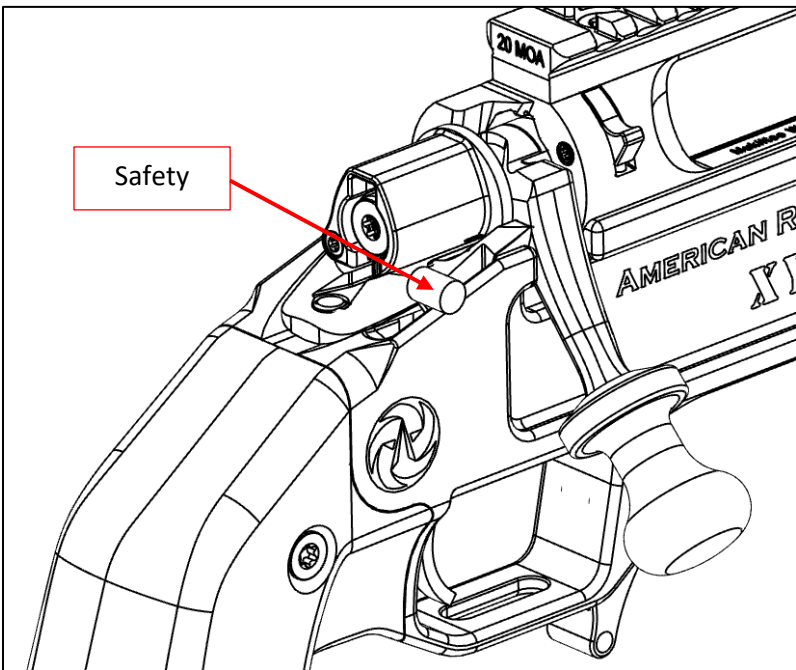
### 3.4 Mechanical Safety

The rifle is equipped with a two-position trigger safety. Keep the safety in safe position until ready to fire. The safety is a mechanical device which prevents the trigger from being pulled. Mechanical devices can fail, do not assume that the rifle cannot fire when the safety is in the on position – always follow firearm safety rules.

Note, the safety can only be engaged when the rifle is cocked. The rifle is cocked by opening and closing the bolt. The rifle will remain cocked when the bolt is closed until the trigger is pulled. When the rifle is fired and another cartridge is to be chambered, open the bolt, move the safety to the safe position, and then close the bolt.

Aft = Safe (on)

Forward = Fire (off)



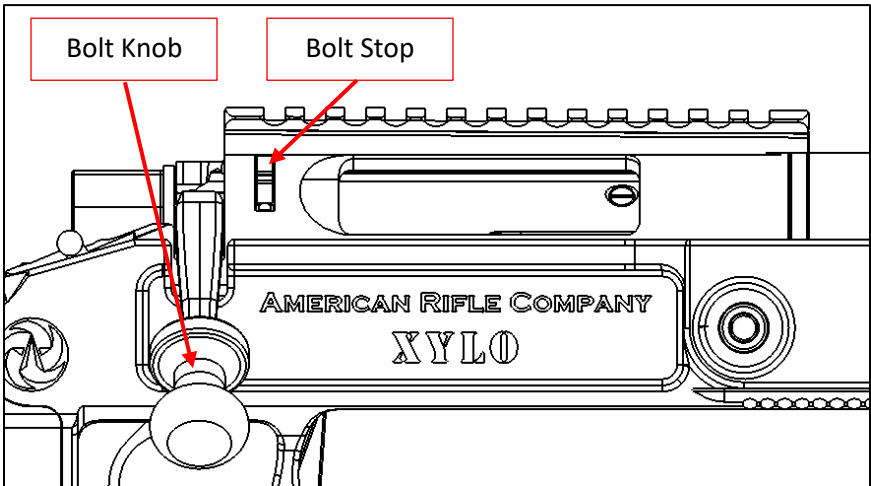


### 3.5 Bolt Action

#### 3.5.1 Bolt Installation and Removal

The bolt can be installed/removed by opening the bolt stop and sliding the bolt into or out of the receiver. Some bolt stops may latch in the open position. If it latches open, push closed after inserting the bolt back into the rifle.

Depending on the model, the bolt stop may be on the opposite side of that depicted below or may be a knob style bolt stop that rotates. The knob style can only be rotated to lock/unlock when the bolt is open and in the aft position.

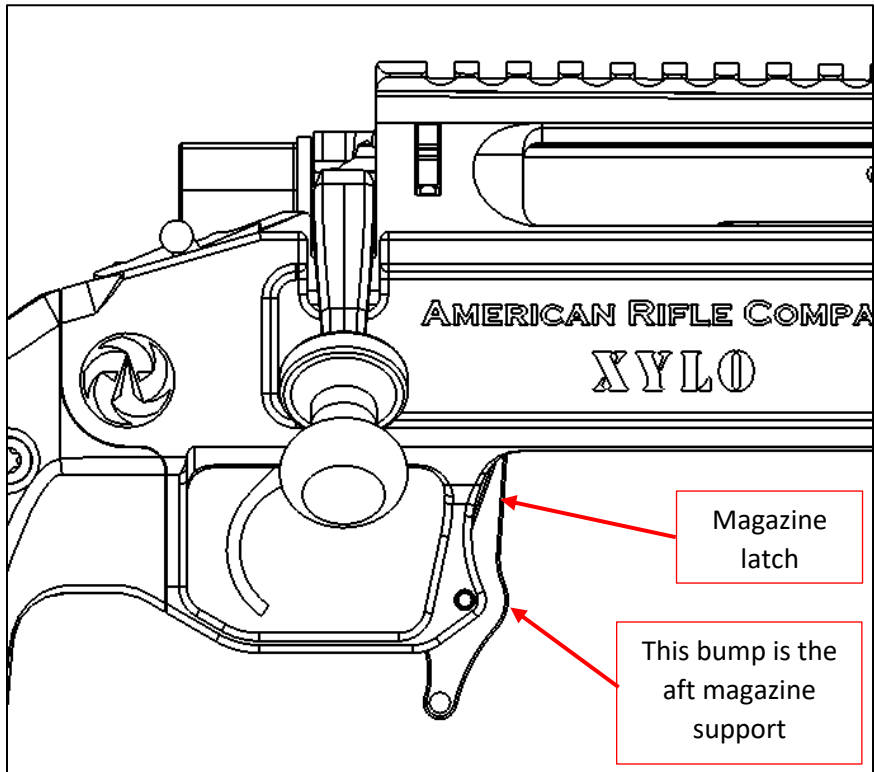


### 3.6 Magazine

Push forward on the bottom of the magazine latch to release the magazine and remove the magazine from the rifle (magazine not shown).

Insert magazine by sliding it into the magazine well with the forward-end slightly higher than the aft-end. When the forward-end is seated the aft-end will pivot into place and engage the magazine latch.

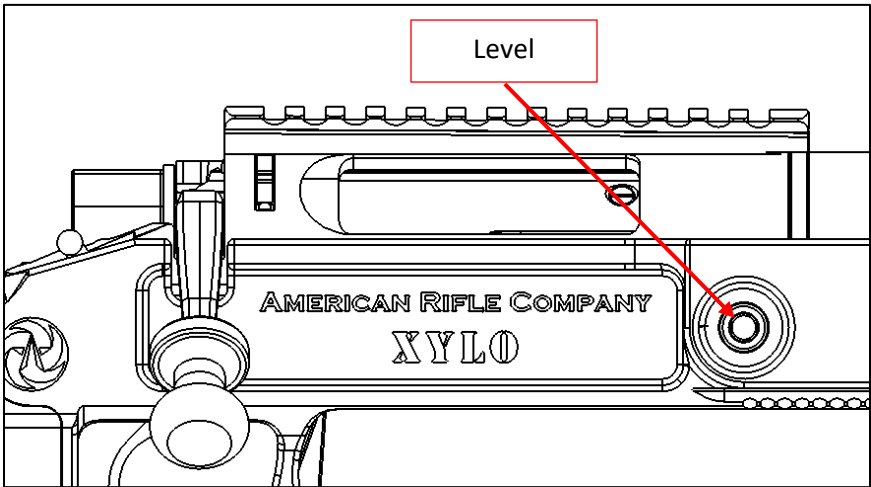
The aft magazine support is designed to prevent the magazine from over insertion. If the magazine is not latched when the magazine contacts the support, the top of the latch (or the magazine tab) may need to be trimmed so that the magazine is fully latched.



### 3.7 Chassis/Stock Use and Adjustment

#### 3.7.1 Level

The level has three detent positions. In the center position it is stowed, out of the way and cannot be referenced. Push the end of the level tube left or right to deploy until the deployed detent engages. Try both sides, right-handed shooters may prefer the level deployed on the right or left side.



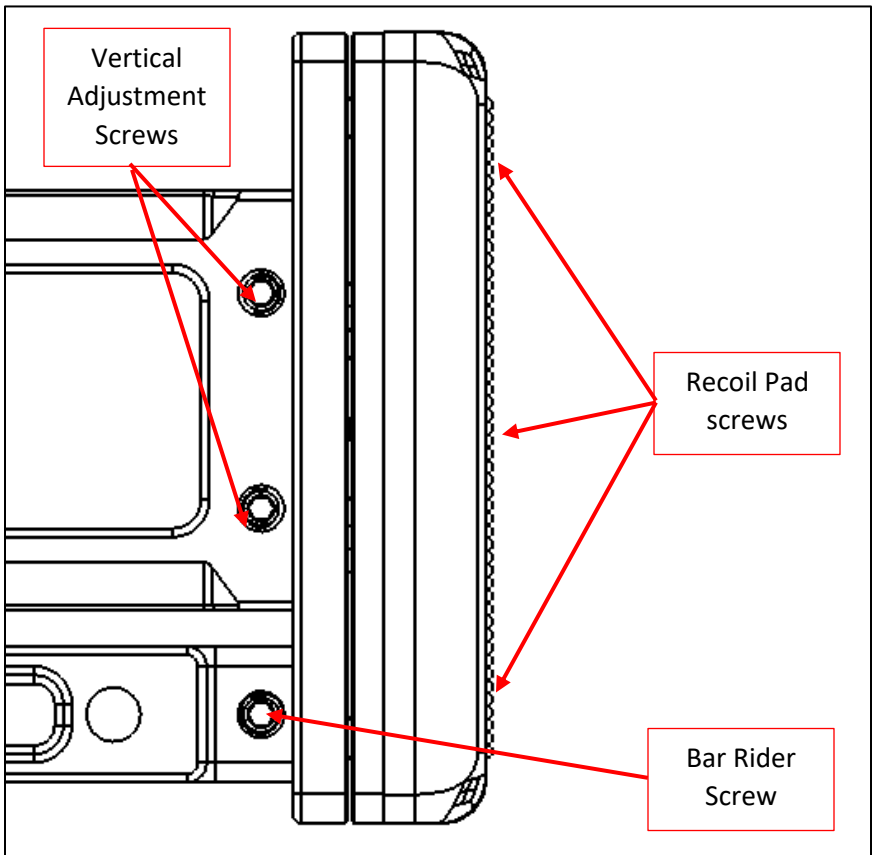
### 3.7.2 Recoil Pad and Bag Rider

The recoil pad can be adjusted up/down and the Cant Angle rotated approximately +/- 6 degrees.

To adjust vertically: Loosen center recoil pad screw (it preloads the forward recoil pad plate and may resist vertical adjustment). Loosen the vertical adjustment screws. Slide to adjust and tighten vertical adjustment screws, then center recoil pad screw.

To adjust Cant Angle: Loosen center recoil pad screw and rotate. Tighten screw at desired position.

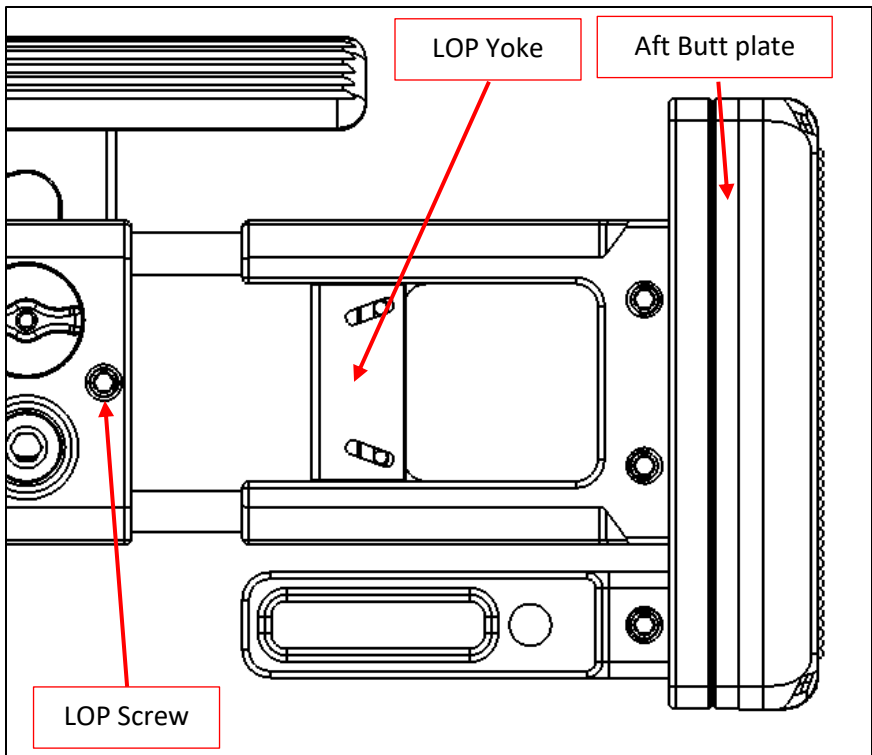
Bag rider: loosen bag rider screw, slide bag rider, and tighten screw.



### 3.7.3 Length of Pull (LOP)

There are two adjustments for LOP and one removable part if you really need to further reduce LOP:

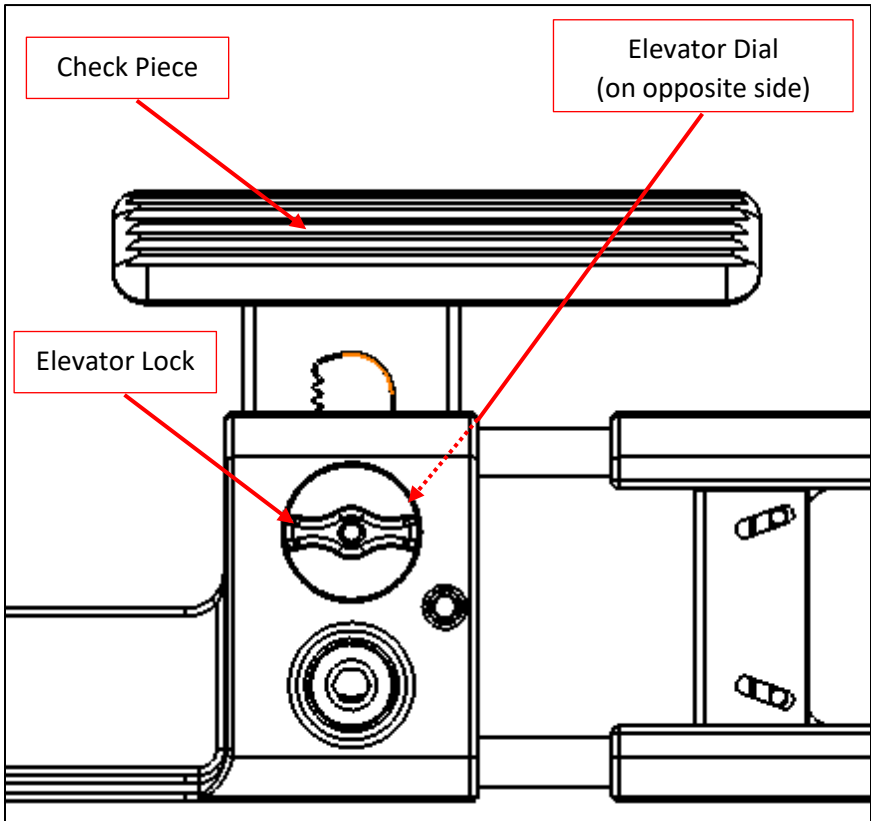
- 1) Tool-less quick adjust: Adjust by depressing the LOP Yoke and sliding the recoil pad assembly. Release the LOP Yoke and slide until a notch is engaged. 2 inches of adjustment.
- 2) Set and forget adjustment: loosen the LOP screw and slide the rods in or out to desired location and tighten screw. Make sure when tightening the screw that notches are engaged in the rods. 1 inch of adjustment. If desired, rods can be set with differing amount of extension to reduce the length of quick-adjust LOP below 2 inches.
- 3) Remove the aft butt plate to reduce LOP by an additional 1/4 inch. Use provided extra screw in center hole. Apply a small amount of grease under screw head to slide in.



### 3.7.4 Check Piece

The check piece can be adjusted in several directions:

- 1) Vertical:
  - a. Loosen the elevator lock, about 2 turns are necessary.
  - b. Pull on the elevator dial to unlock and rotate to move up/down. It can be adjusted when fully loaded by your head to align your eye with the scope.
- 2) Forward/Aft, Left/Right, & Yaw
  - a. Remove check piece cover.
  - b. Loosen or remove screws and set to desired location. If moved too far forward, it will interfere with bolt opening when set at certain heights.



### 3.8 Mounting a Rifle Scope

American Rifle Company rifles come standard with a MIL-STD-1913 Picatinny rail. Use scope rings or mounts designed for mounting on Picatinny rails. Follow ring/mount manufacturers and scope manufacturers recommendation for mounting.

## 4 Maintenance

Before any maintenance, unload the rifle as described previously and ensure there is not a cartridge in the chamber. Videos may be available at the American Rifle Company website with more thorough explanations for maintenance.

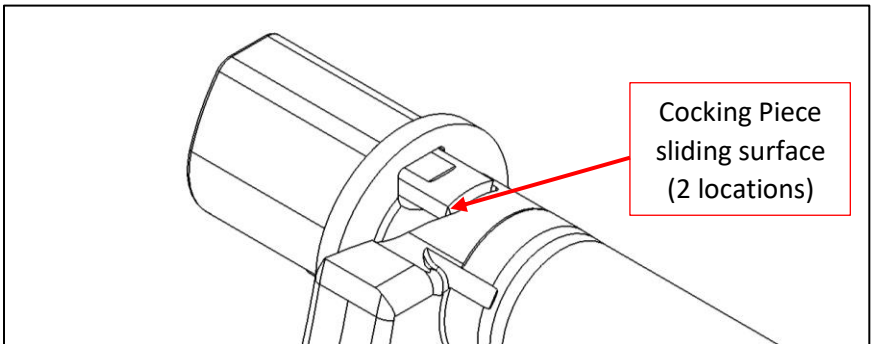
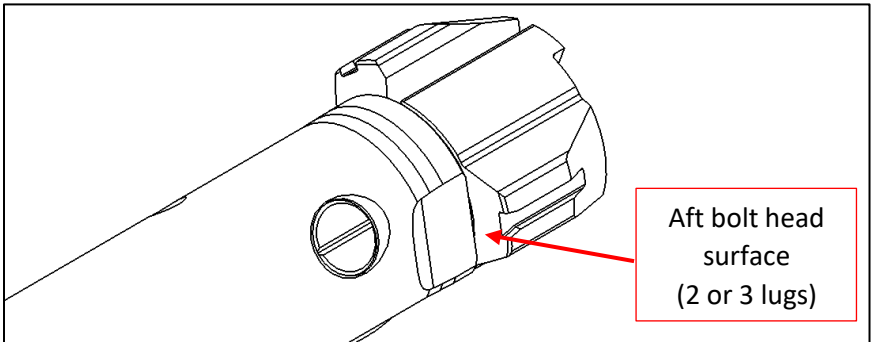
### 4.1 Lubrication

Periodically clean and lubricate the following locations with gun oil or grease. Only a small amount of lubrication is needed.

- 1) Aft side of bolt head lugs (2 or 3 surfaces)
- 2) Cocking Piece cams (top and bottom cam)

Do not lubricate the cocking piece where it contacts the trigger or the trigger.

Do not lubricate the inside of the bolt or the striker assembly. The lubricant may impede the striker and cause light primer strikes.

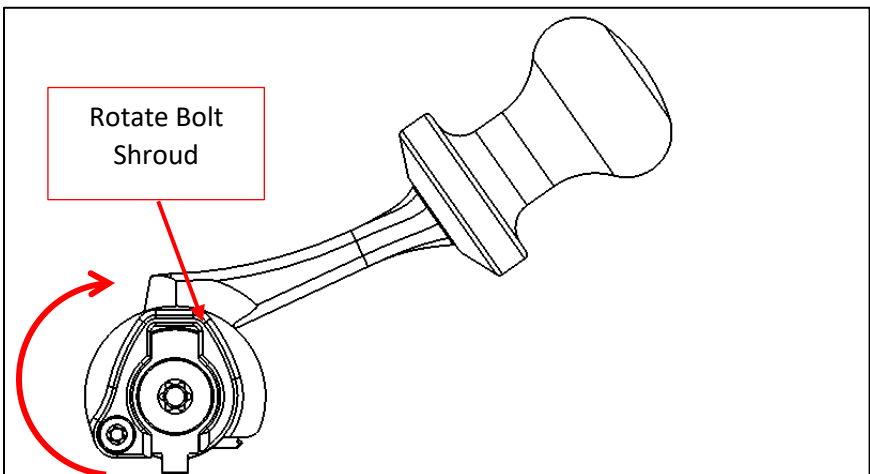
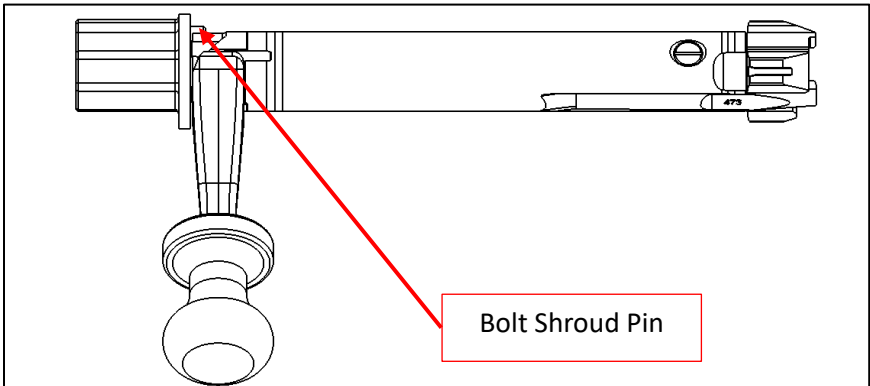




## 4.2 Striker Assembly Removal (Bolt Head Removal)

This section does not apply to the Archimedes Bolt Action. Please visit the American Rifle Company website for Archimedes bolt disassembly.

- 1) Remove the bolt from the receiver
- 2) Press the bolt shroud pin into the bolt shroud.
- 3) While holding the pin in, rotate the bolt shroud in the direction shown for a right hand action until the striker springs out. The bolt head pin, bolt head, and extractor may fall off when the striker assembly is removed. Note: if the cocking piece drops into the cocking cams on the rear of the bolt, it will be difficult to rotate back. A T25 torx driver can be used for this (turn gently on a left hand action as the screw may loosen).



## 5 Warranty

American Rifle Company warrants to you, the original purchaser of a new rifle, that it is free from defects in material and workmanship. Should your rifle need repair, return it to American Rifle Company and we will, at our discretion, repair or replace it free of charge.

American Rifle Company will not cover damage to your rifle caused by:

- Accidents, abuse, or misuse
- Barrel obstruction
- Hand loaded, reloaded or improper ammunition
- Unauthorized adjustments, repairs, or modifications
- Normal wear and tear (barrels wear out and group size increases)
- Exposure to temperatures above 400°F (204° C)
- Removal of surface finish for any reason.

## 6 Purchase Record

Product: \_\_\_\_\_

Firearm Serial Number: \_\_\_\_\_

Cartridge: \_\_\_\_\_

Date Purchased: \_\_\_\_\_

Purchased From: \_\_\_\_\_





# **AMERICAN RIFLE COMPANY**

[www.AmericanRifle.com](http://www.AmericanRifle.com)

[sales@americanrifle.com](mailto:sales@americanrifle.com)

206-226-4387