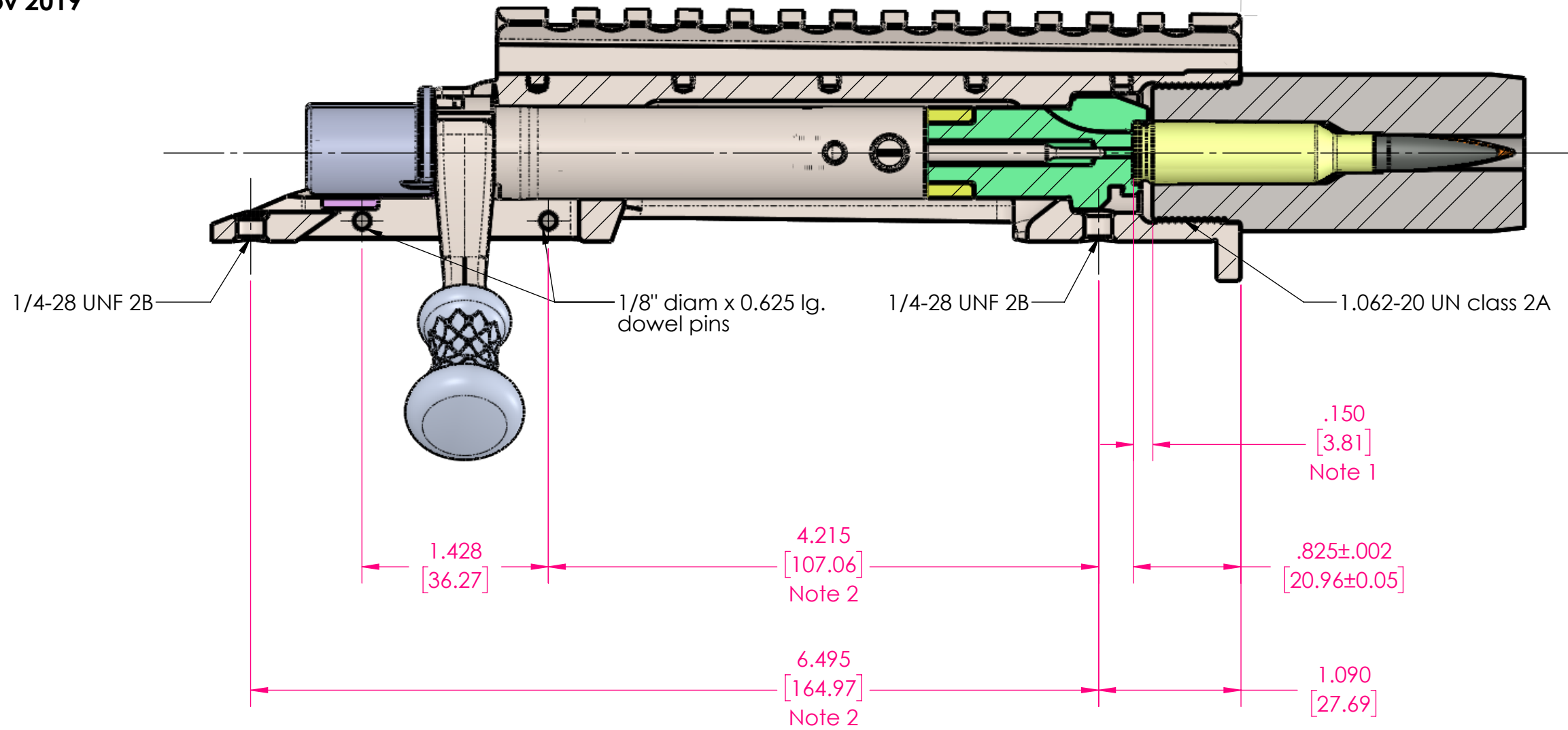


AMERICAN RIFLE COMPANY

Bolt Action Barrel Interface
M3, M5, M7, M9
(M5 Action shown)

www.AmericanRifle.com
25 Nov 2019



Note 1: This dimension should be at least 0.130". It can be larger depending on the cartridge that will be used. For best results, the entire case head should be exposed. For example, the distance between the bolt face and the breech face of the barrel can be 0.152 inches for the 6.5 x 47 Lapua, shown right.

Note 2: Add 0.850 inches (21.59mm) for long action.

